



BOSCH

Invented for life

Spare Parts Price List

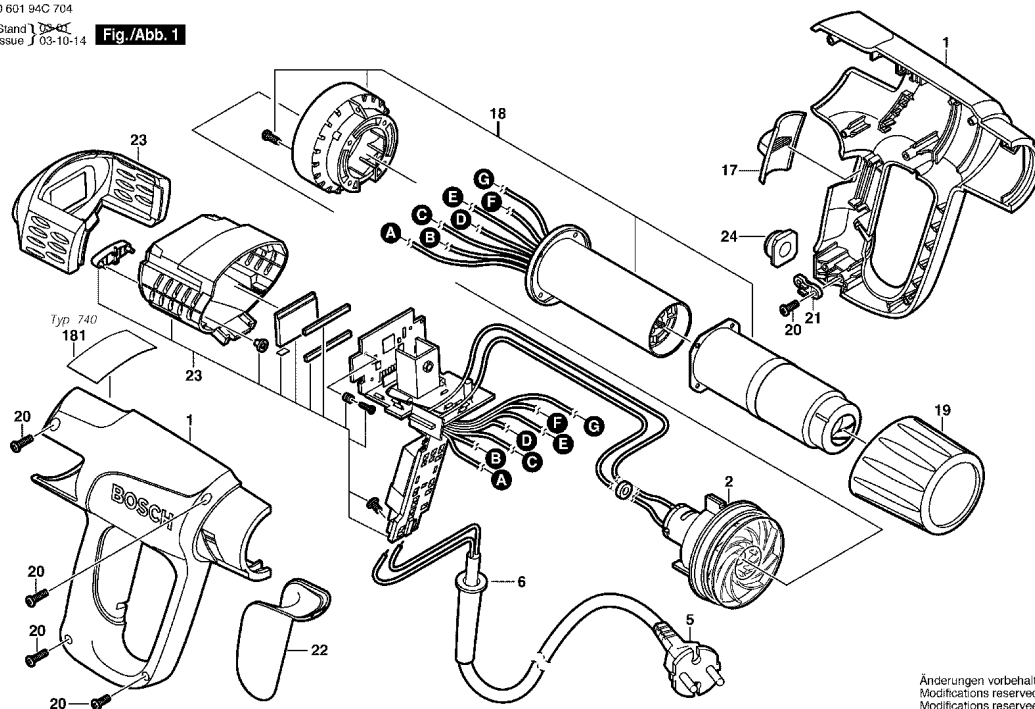
GHG 630 DCE

0 601 94C 704

0 601 94C 704

Stand 1
issue J 03-10-14

Fig./Abb. 1



Änderungen vorbehalten
Modifications reserved
Modificaciones reservées
Salvo modificaciones

POS No.	Qty	Part No.	Description	List Price (Rs.)
1	1	1609203K39	Housing Section .	720
2	1	1609202611	DC motor 115-240V .	638
5	1	1609202797	Power supply cord .	671
6	1	1609202606	Grommet .	50
17	1	1609203H66	Switch Button .	139
18	1	1609203H67	Heating Element 220	1909
19	1	1609203H61	Protective Tube .	251
20	7	2910615407	Tapping Screw DIN ;	19
21	1	1609203102	Fastening Clamp .	35
22	1	1609203H62	Cap-Handle .	419
23	1	1609203L51	Connecting Block 11	3153
24	1	1609203H65	Rubber Base .	34

POS No.	Qty	Part No.	Description	List Price (Rs.)
---------	-----	----------	-------------	------------------